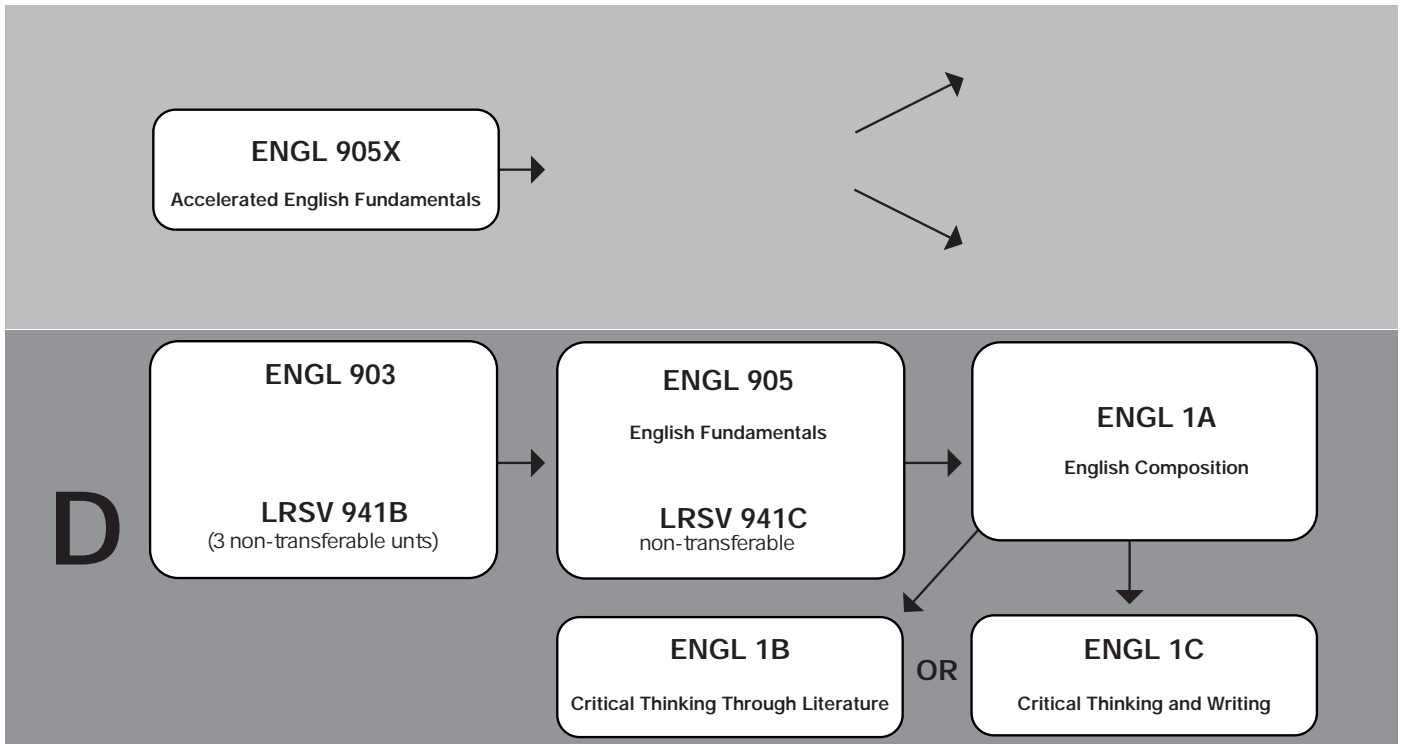
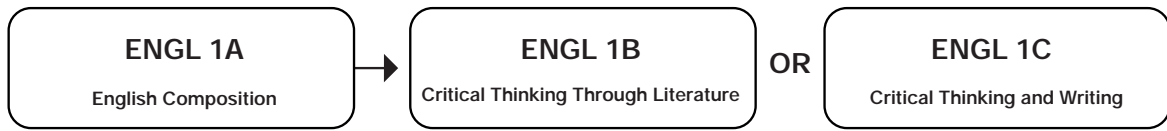


Not Sure Which English ; go hgtaf Class to Take?



It's recommended that students who plan to transfer start with English 1A, either with or without English 099X Supplemental English Composition (Sequence A or B above).

counselor for placement guidance (408)741-2009.

plan in or have a disability that impacts you academically

*** Strongly recommended recommended**

GPA between 1.9 – 2.59

GPA below 1.9

Recommended Preparations in Basic Skills:

Before you enroll in degree applicable courses, it is recommended that you demonstrate writing competency by completing English 905 AND reading competency by completing Reading 961. Some courses may also recommend a math course prior to enrollment. See individual course descriptions for math recommendations.